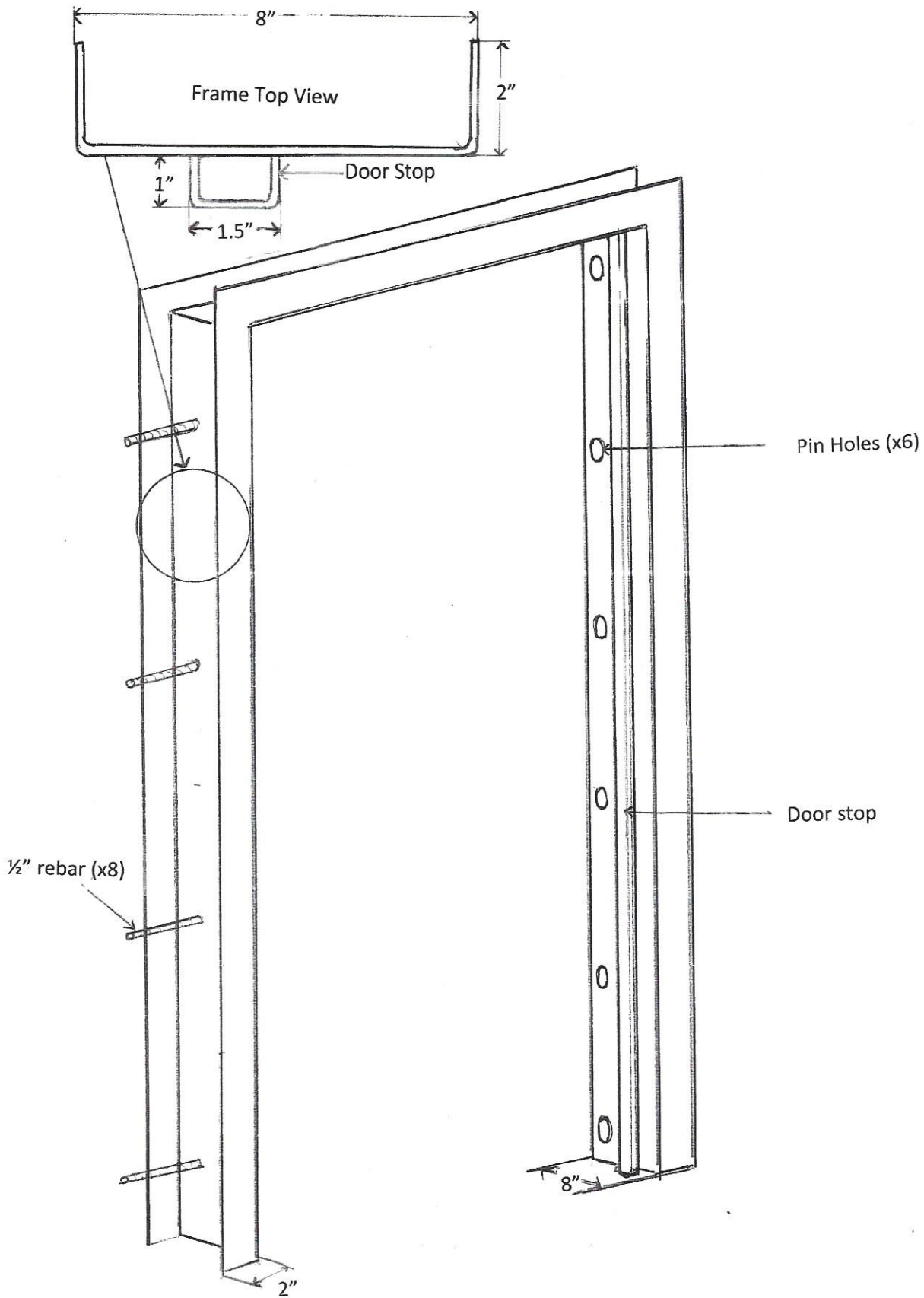


### L-SHAPE FRAME

For use in wood sub-frame (see Rough Framing Instructions)  
 Typically used in existing concrete or CMU structures, or wood-framed structures



### C-CHANNEL FRAME

For use in new construction poured concrete or CMU walls